

Friction Stays:

for superior weather sealing

A range of high-performance friction stays offering major advances in fitting, weather sealing and operational performance.

- Suitable for side hung (casement) or top hung (awning) PVC, timber or aluminium windows
- Innovative end cap design ensures optimum weather sealing in closed position
- Proven performance under negative wind load
- Heavy and light duty options
- Sash weight – from 12-90 kg (awning)
from 24-42 kg (casement)
- Designed for standard window cavities of 12-18 mm
- Can be screwed or riveted to the frame and sash
- Manufactured from a combination of high quality 304 grade stainless steel and nylon components offering improved durability
- Cycle tested to 25,000 cycles
- Adjustable friction mechanism

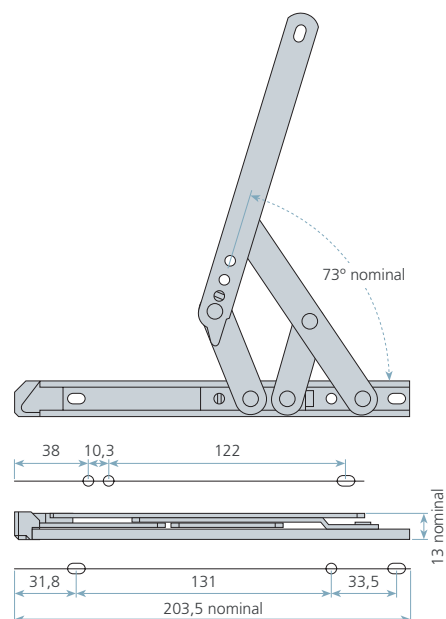


BP8TH

Part No.	Description	Max sash weight	Max sash height	Max sash width
BP8TH	Awning stay 203,5 mm 73° opening	12 kg	350 mm	N/A

25
pair

Carton
size

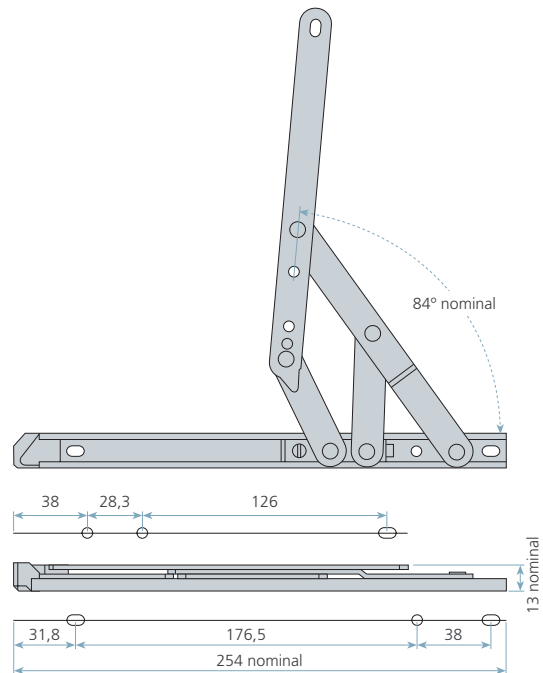


BP10TH

Part No.	Description	Max sash weight	Max sash height	Max sash width
BP10TH	Awning stay 254 mm 84° opening	14 kg	450 mm	N/A

25
pair

Carton
size

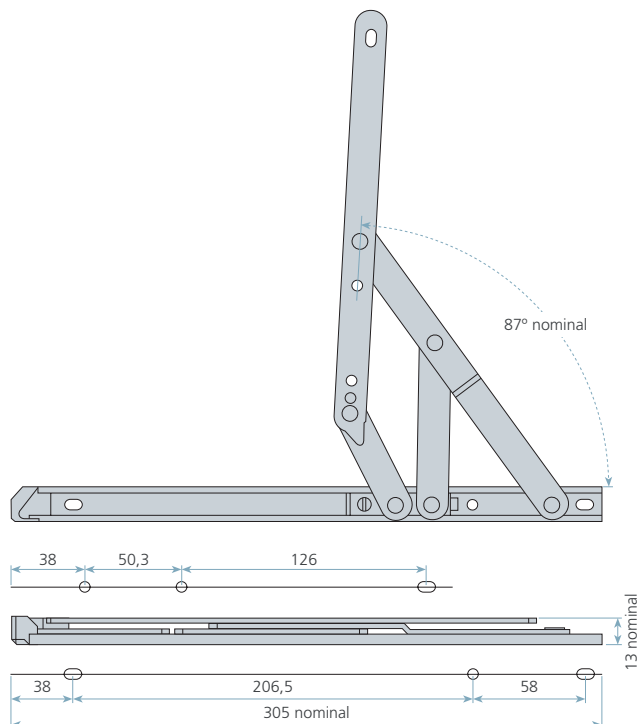


BP12TH

Part No.	Description	Max sash weight	Max sash height	Max sash width
BP12TH	Awning stay 305 mm 87° opening	16 kg	550 mm	N/A

25
pair

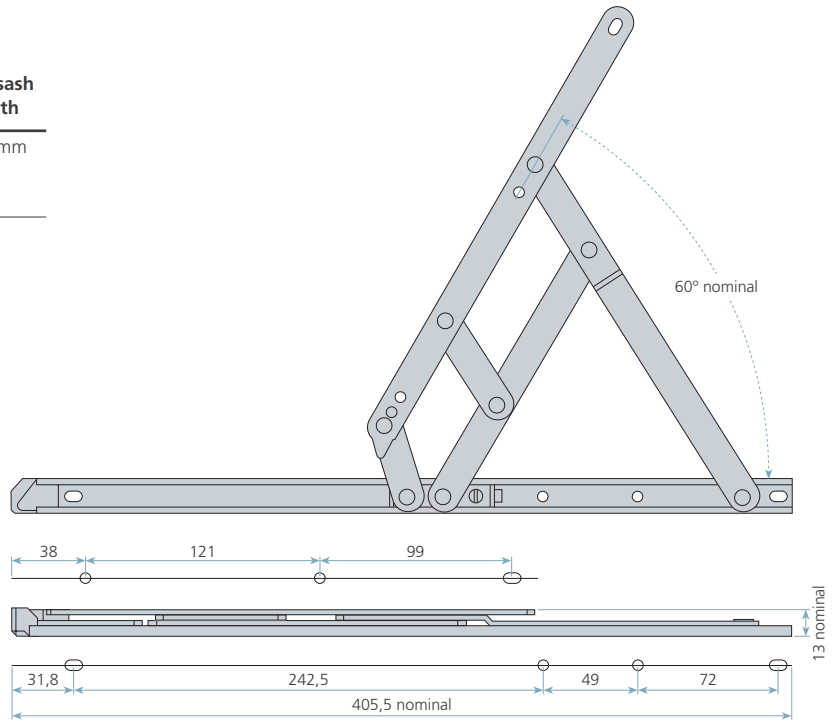
Carton
size



BP16TH

Part No.	Description	Max sash weight	Max sash height	Max sash width
BP16TH	Awning stay 402,5 mm 60° opening	20 kg	N/A	800 mm

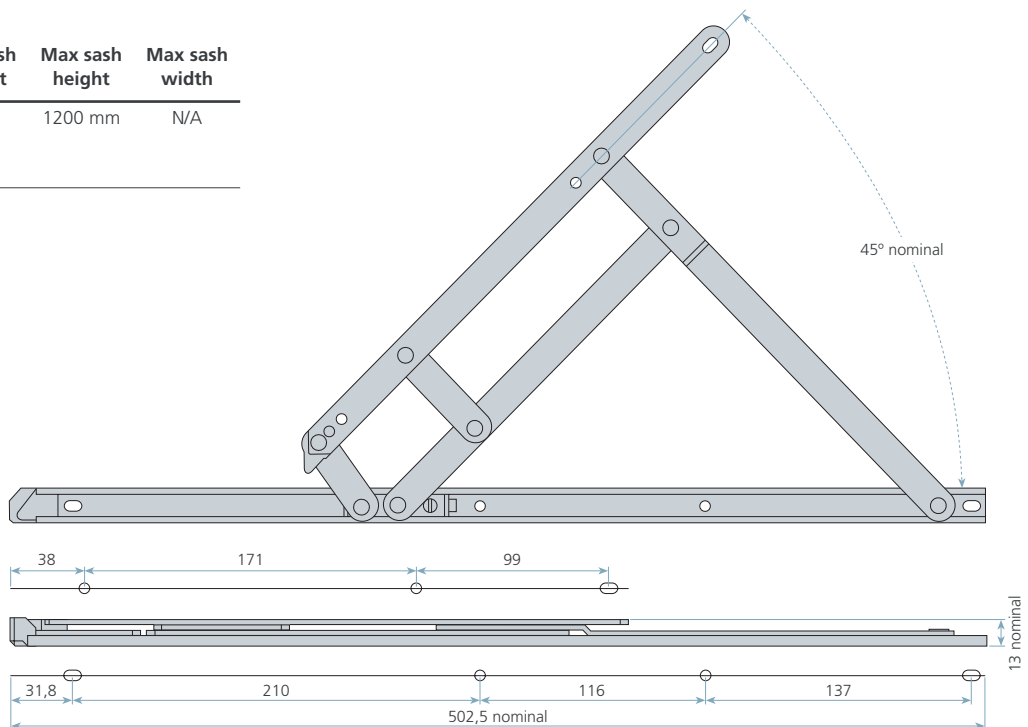
25
pair
Carton
size



BP20TH

Part No.	Description	Max sash weight	Max sash height	Max sash width
BP20TH	Awning stay 502,5 mm 45° opening	24 kg	1200 mm	N/A

25
pair
Carton
size



BP24TH

Part No.	Description	Max sash weight	Max sash height	Max sash width
BP24TH	Awning stay 602 mm 40° opening	35 kg	1200 mm	N/A

25
pair
Carton
size

